

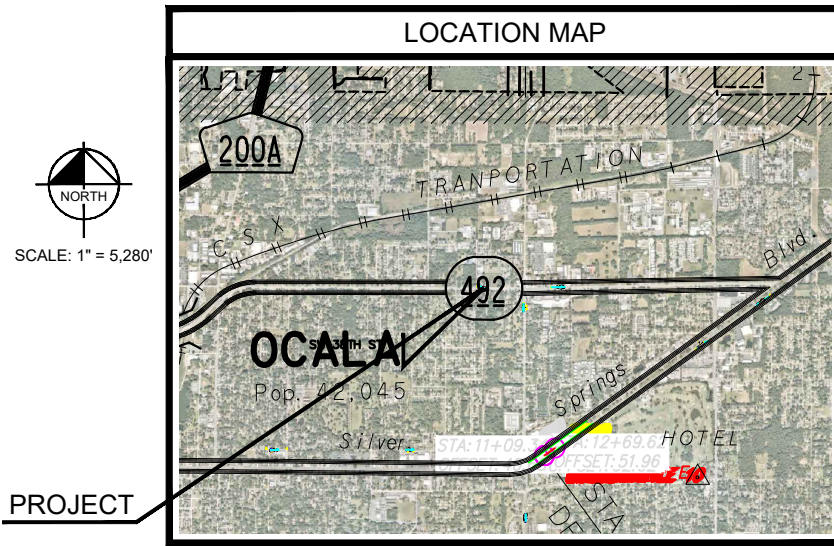
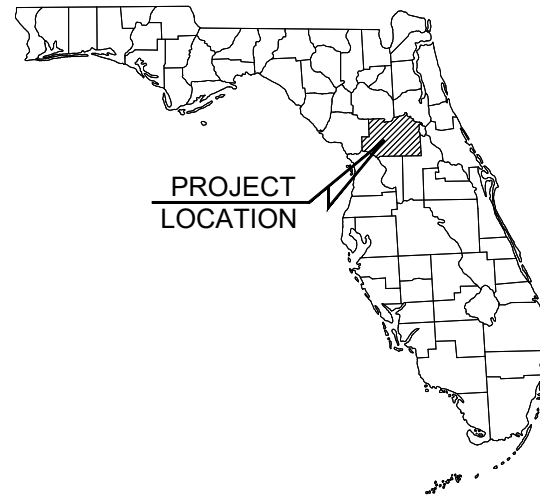
SITE PLAN FOR BUS STOP DESIGN SERVICES

CITY OF OCALA, FLORIDA

SECTION 25, TOWNSHIP 15 SOUTH, RANGE 21 EAST

BUS STOP NUMBER 8608
COORDINATES 29.20069 N -82.10725 E

MARCH 2024



DRAWING INDEX

SHEET	TITLE
C001	COVER SHEET
C002	GENERAL NOTES
C003	MASTER SITE PLAN
C004	#8608 SITE PLAN
C005	CONSTRUCTION DETAILS

UTILITY PROVIDERS

ELECTRIC CITY OF OCALA ELECTRIC RANDY HAHN (352) 351-6615	TELEPHONE CENTURY LINK JOHN PALMONDON (352) 245-4444	GAS TECO BRUCE STOUT (407) 466-2662
WATER & SEWER CITY OF OCALA - WATER & SEWER STACEY FERRANTE (352) 351-6775	COMMUNICATIONS COX COMMUNICATIONS PAUL CHRISTOPHER (352) 337-2009	

PROJECT OWNER AND CONSULTANTS

OWNER/APPLICANT: CITY OF OCALA	CIVIL ENGINEERING CONSULTANT: KIMLEY-HORN AND ASSOCIATES, INC. 1700 SE 17TH STREET, SUITE 400 OCALA, FLORIDA 34471 (352) 438-3000
SURVEYOR: ECHEZABAL & ASSOCIATES, INC. 108 COUNTRY CLUB DRIVE TAMPA, FLORIDA 33612 (352) 351-0091	

© 2022 KIMLEY-HORN AND ASSOCIATES, INC.
1700 SE 17TH STREET, SUITE 400, OCALA, FLORIDA 34471
PHONE: 352.438-3000
WWW.KIMLEY-HORN.COM REGISTRY NO. 35108

LICENSED PROFESSIONAL	MOHAMMED N. MURAD
FLORIDA LICENSE NUMBER	91243
CHECKED BY	MINI
DATE	

COVER SHEET

BUS STOP DESIGN SERVICES
PREPARED FOR
CITY OF OCALA
FLORIDA

SHEET NUMBER
C001

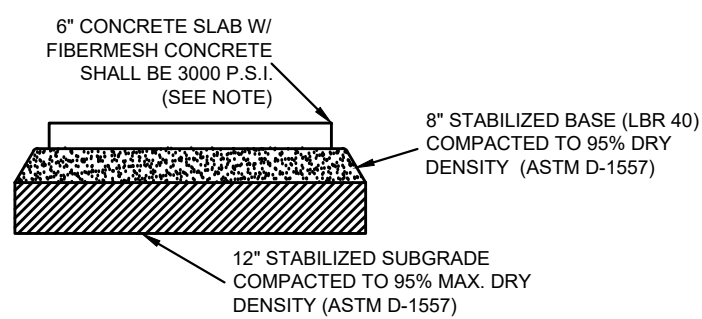
CALL 2 BUSINESS DAYS BEFORE YOU DIG
IT'S THE LAW!
DIAL 811

Know what's below.
Call before you dig.

SUNSHINE STATE ONE CALL OF FLORIDA, INC.

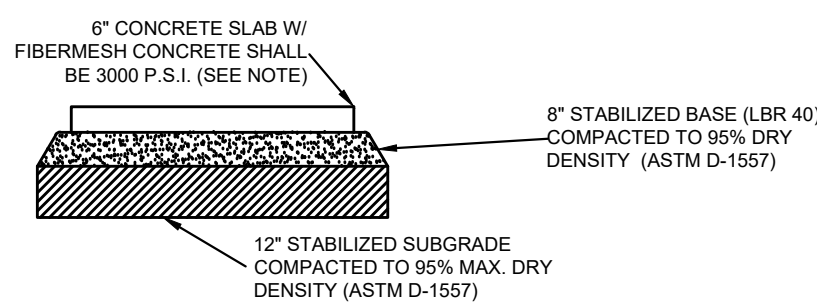
This document, together with the concepts and designs presented herein, is intended only for the specific purpose and client for which it was prepared. Reuse of and improper reliance on this document without written authorization and adaptation by Kimley-Horn and Associates, Inc. shall be without liability to Kimley-Horn and Associates, Inc.

This document, together with the concepts and designs presented herein, is intended only for the specific purpose and client for which it was prepared. Reuse of and improper reliance on this document without written authorization and adaptation by Kimley-Horn and Associates, Inc. shall be without liability to Kimley-Horn and Associates, Inc.



CONCRETE BOARDING AND ALIGHTING PAD DETAIL
N.T.S.

NOTE:
 FIBERMESH CONCRETE SHALL INCLUDE SYNTHETIC FIBERS AT THE RATE OF THREE (3) POUNDS PER CUBIC YARD FOR THE 3000 PSI MIX, BASED ON A FIBER'S MODULUS OF ELASTICITY OF 1378 KSI. THIS RATE SHALL BE ADJUSTED UP OR DOWN PROPORTIONATE TO THE MODULUS OF ELASTICITY OF THE SELECTED FIBER. SYNTHETIC STRUCTURAL FIBERS SHALL MEET THE REQUIREMENTS OF ASTM C 1116, PARAGRAPH 4.1.3, TYPE III; SHALL BE MONOFILAMENT, MADE OF POLYPROPYLENE OR BLENDED POLYPROPYLENE/POLYETHYLENE; SHALL BE A MINIMUM OF ONE AND ONE-HALF INCHES (1.5") IN LENGTH; AND SHALL HAVE AN ASPECT RATIO (LENGTH/FIBER DIAMETER) BETWEEN 80 AND 100.



CONCRETE BUS SHELTER PAD DETAIL
N.T.S.

NOTE:
 FIBERMESH CONCRETE SHALL INCLUDE SYNTHETIC FIBERS AT THE RATE OF THREE (3) POUNDS PER CUBIC YARD FOR THE 3000 PSI MIX, BASED ON A FIBER'S MODULUS OF ELASTICITY OF 1378 KSI. THIS RATE SHALL BE ADJUSTED UP OR DOWN PROPORTIONATE TO THE MODULUS OF ELASTICITY OF THE SELECTED FIBER. SYNTHETIC STRUCTURAL FIBERS SHALL MEET THE REQUIREMENTS OF ASTM C 1116, PARAGRAPH 4.1.3, TYPE III; SHALL BE MONOFILAMENT, MADE OF POLYPROPYLENE OR BLENDED POLYPROPYLENE/POLYETHYLENE; SHALL BE A MINIMUM OF ONE AND ONE-HALF INCHES (1.5") IN LENGTH; AND SHALL HAVE AN ASPECT RATIO (LENGTH/FIBER DIAMETER) BETWEEN 80 AND 100.

CALL 2 BUSINESS DAYS BEFORE YOU DIG
 IT'S THE LAW!
 DIAL 811

SUNSHINE STATE ONE CALL OF FLORIDA, INC.

BUS STOP DESIGN SERVICES PREPARED FOR CITY OF OCALA <small>FLORIDA</small>	CONSTRUCTION DETAILS	LICENSED PROFESSIONAL MOHAMMED N. MURAD <small>FLORIDA LICENSE NUMBER 91243</small>	 <small>© 2022 KIMLEY-HORN AND ASSOCIATES, INC. 1700 BE 17TH STREET, SUITE 200, OCALA, FLORIDA 34471 WWW.KIMLEY-HORN.COM PHONE: 352.438-3000 REGISTRY NO. 35108</small>
		KHA PROJECT 142371035 DATE MARCH 2024 SCALE AS SHOWN DESIGNED BY KHA DRAWN BY KHA CHECKED BY MNI DATE:	No. _____ REVISIONS DATE
SHEET NUMBER C005			